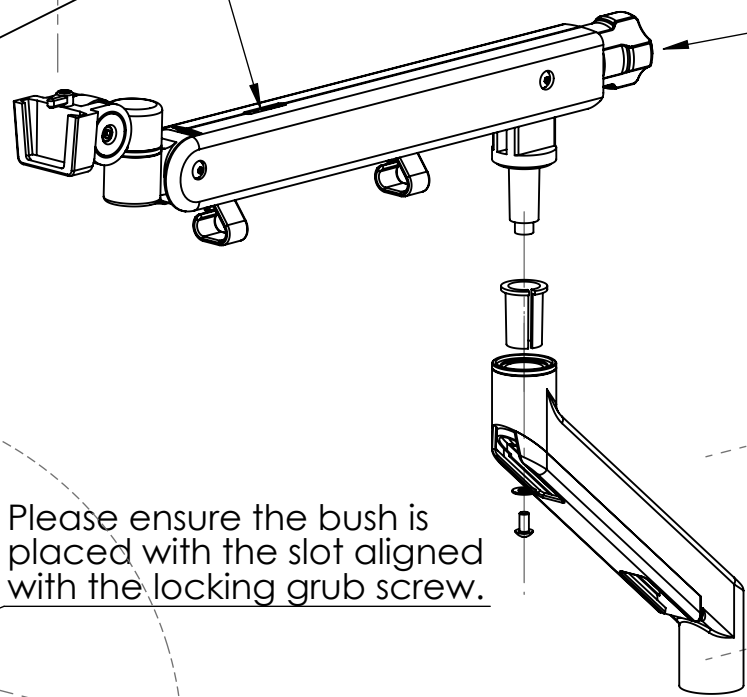
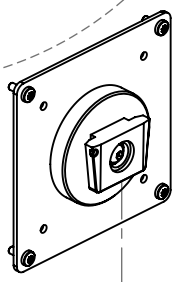
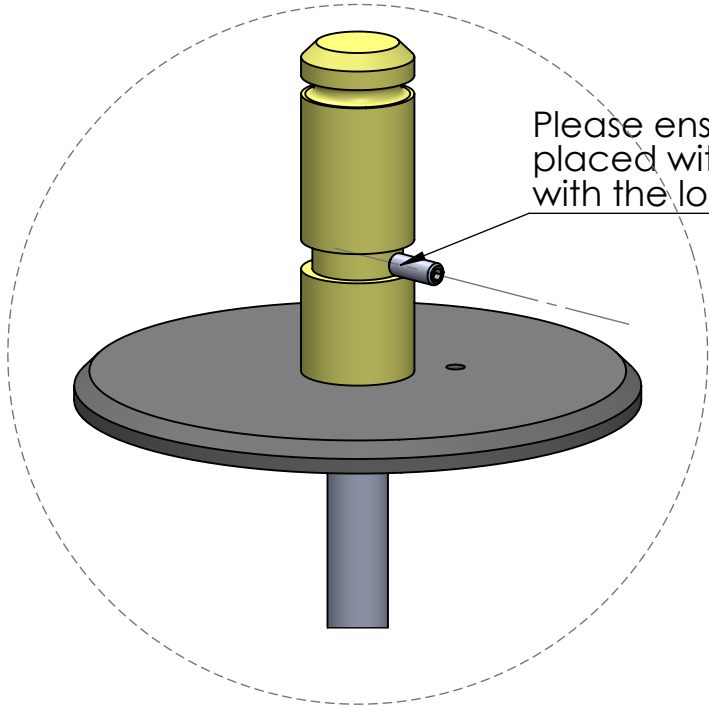


SCREEN WEIGHT INDICATOR

Rotate the Knob for appropriate screen weight.



Please ensure the bush is placed with the slot aligned with the locking grub screw.



Tighten this nut for clamp tightening.

